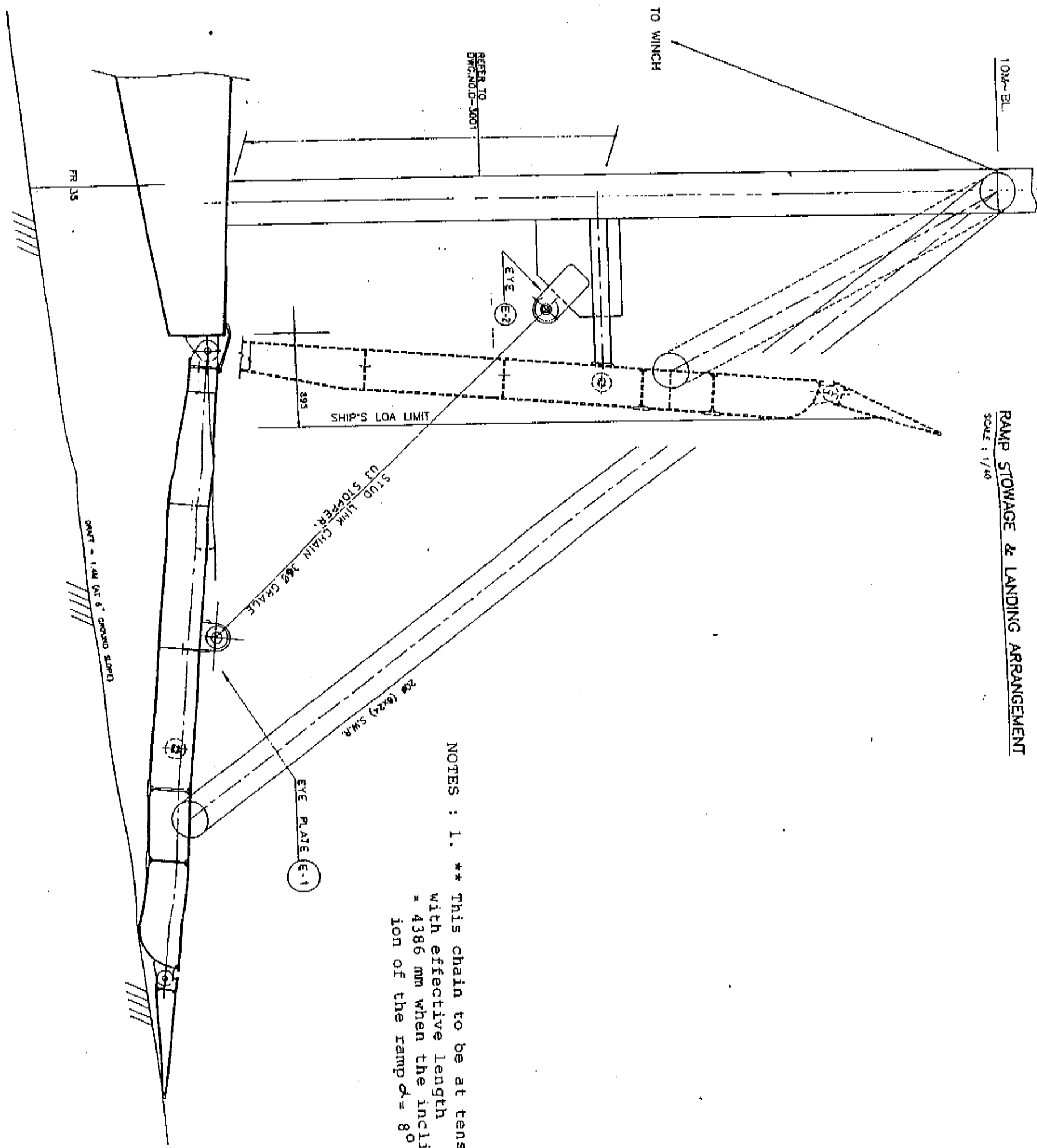


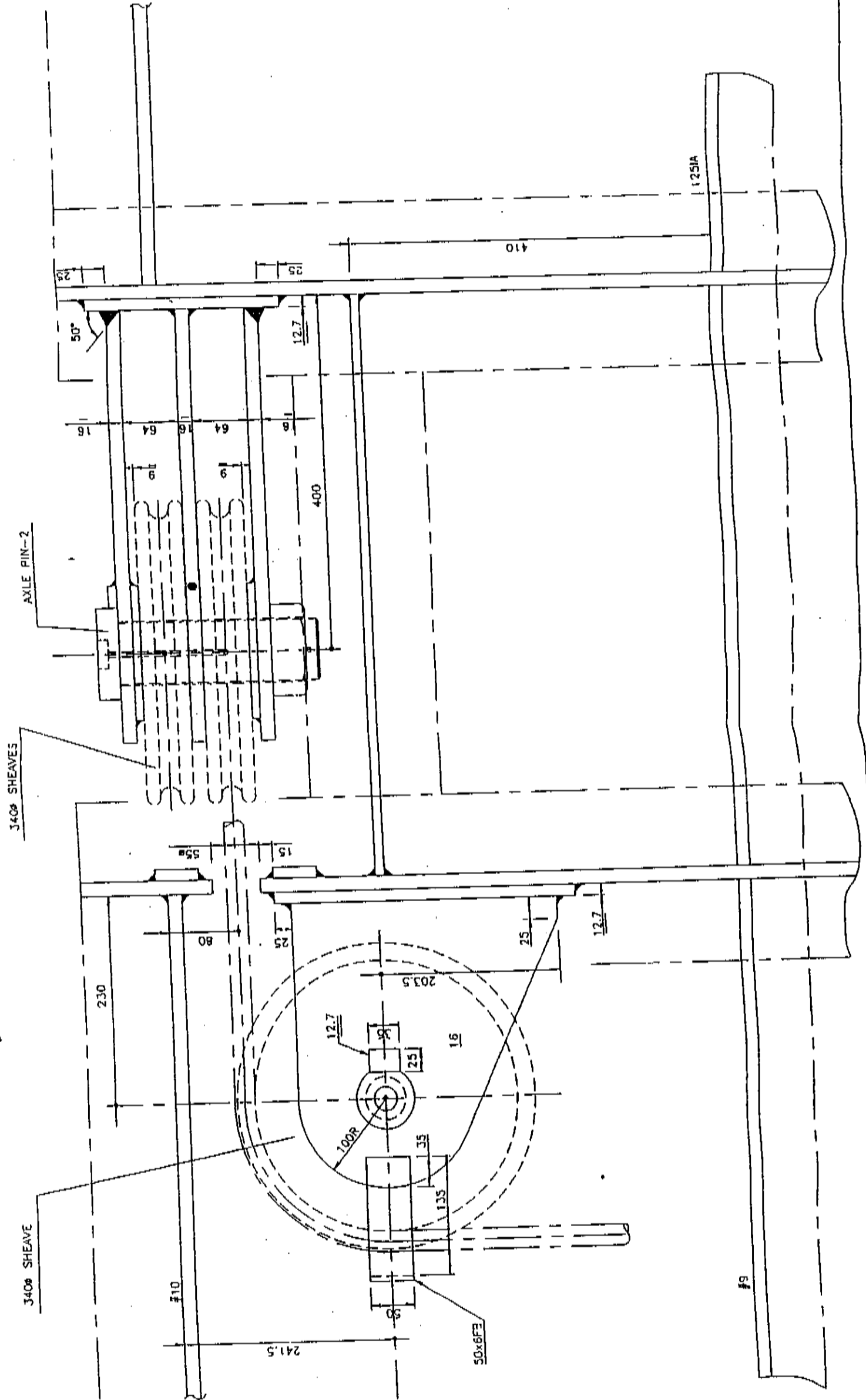
RAMP STORAGE & LANDING ARRANGEMENT
SCALE: 1/10



NOTES : 1. ** This chain to be at tension
 with effective length
 = 4386 mm when the inclin-
 ation of the ramp $\alpha = 8^\circ$

SN-133/134 SKS-891 R6

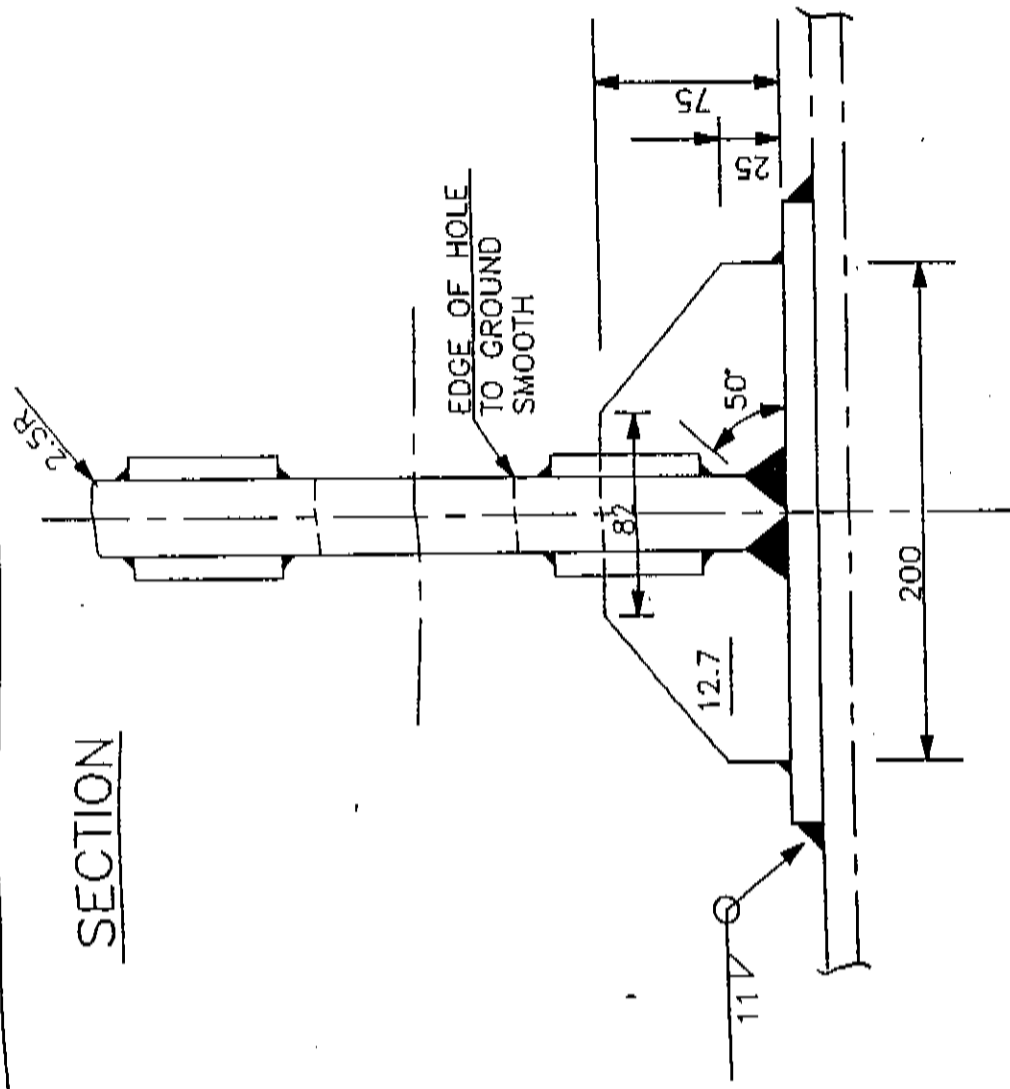
A-A VIEW
SCALE 1/3



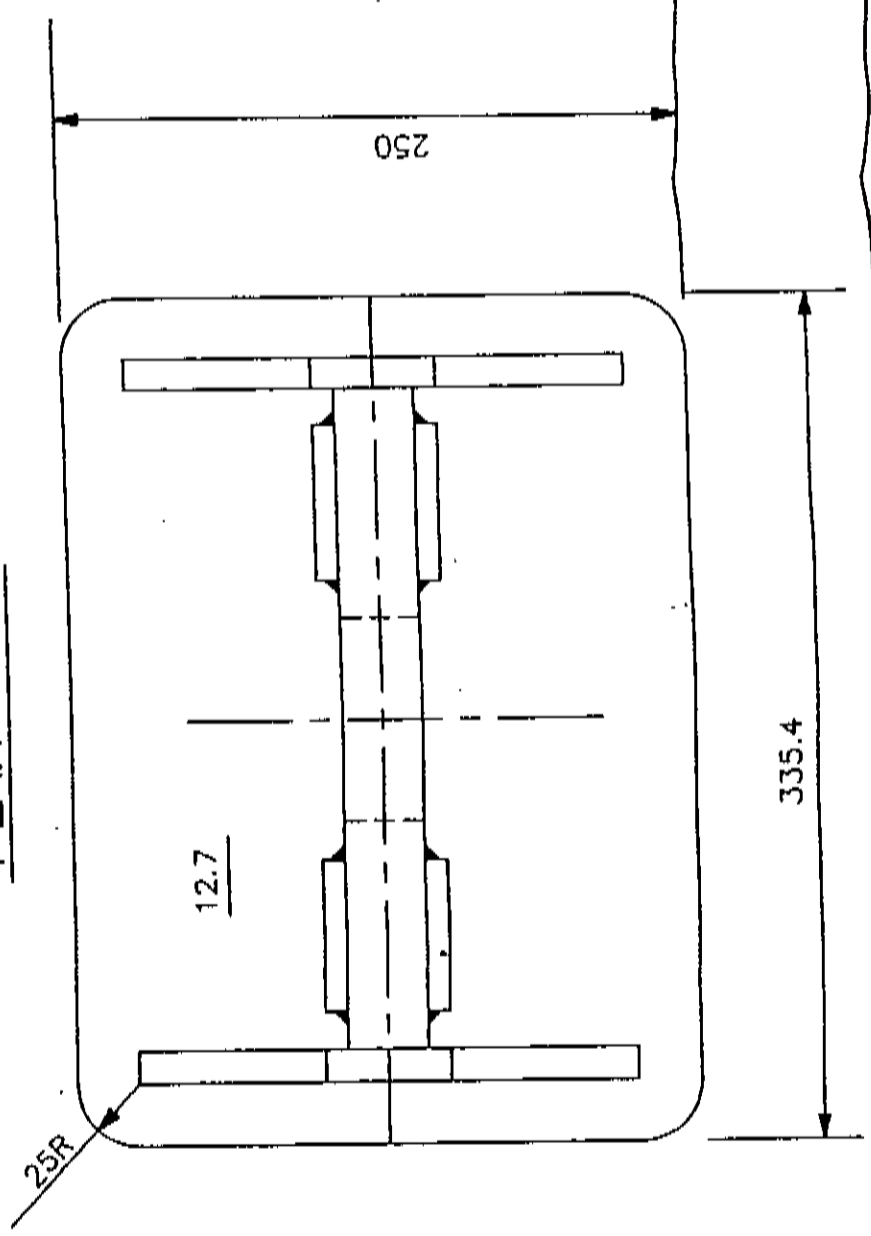
R15B (1:3) A3

STOPPER EYE E-1 PROFILE

SECTION



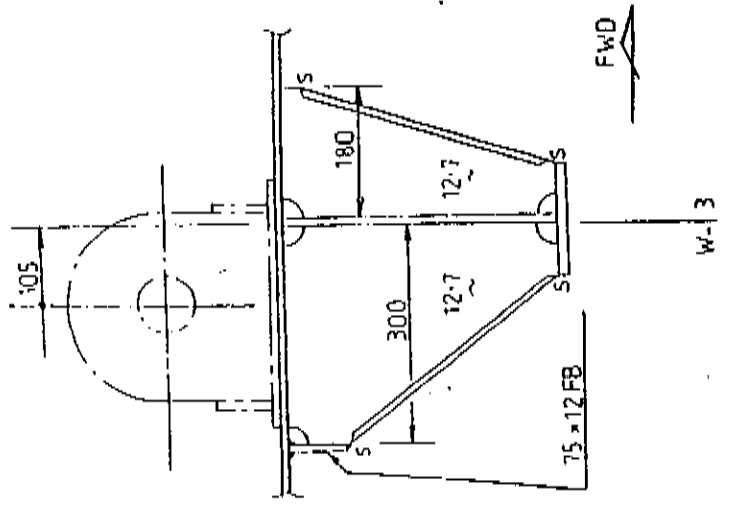
PLAN VIEW



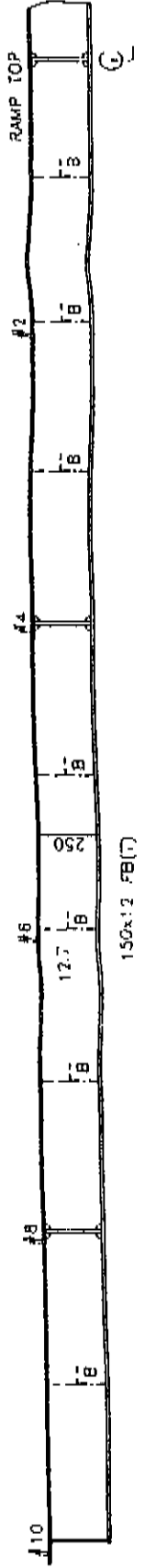
RAMP TOP

SN-133/134 RB

X-X SECT
1/10

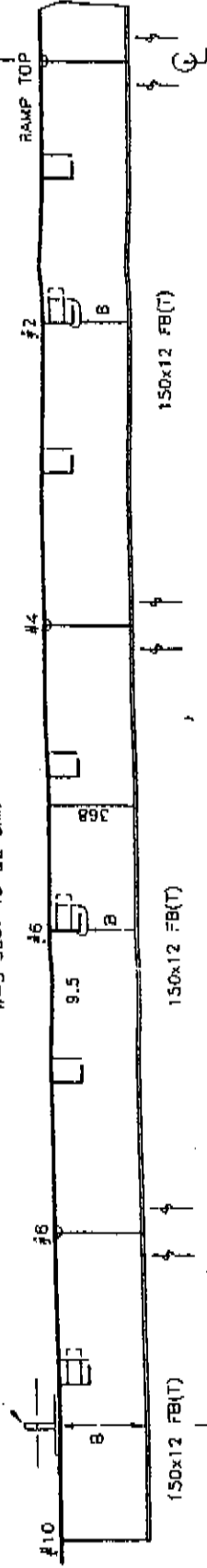


W-1 SECTION
SCALE 1/30

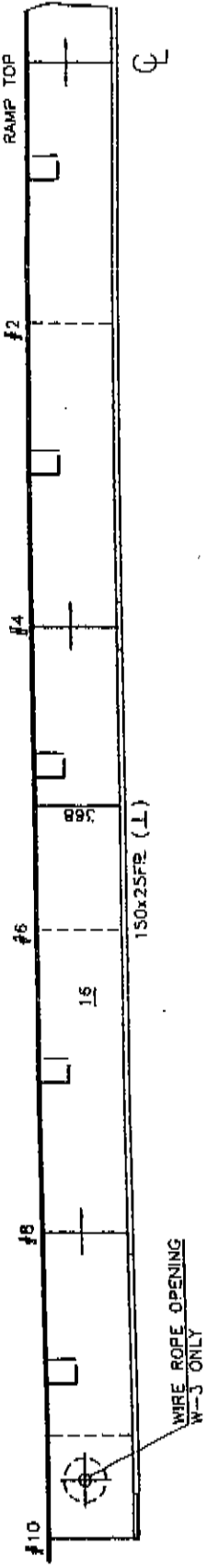


W-2 SECTION
SCALE 1/30
W-3 SECT TO BE SIM.

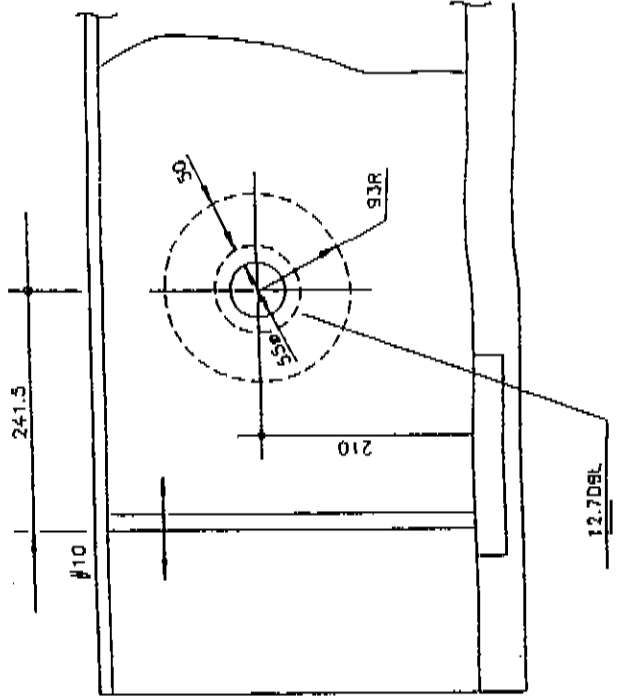
5870
EYE R REF PGL
FOR W-3 ONLY



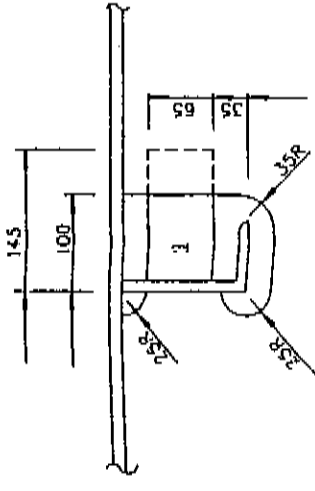
W-4 SECTION
SCALE 1/30
W-5 SECT TO BE SIM.



WIRE ROPE OPENING DETAIL
SCALE 1/7.5



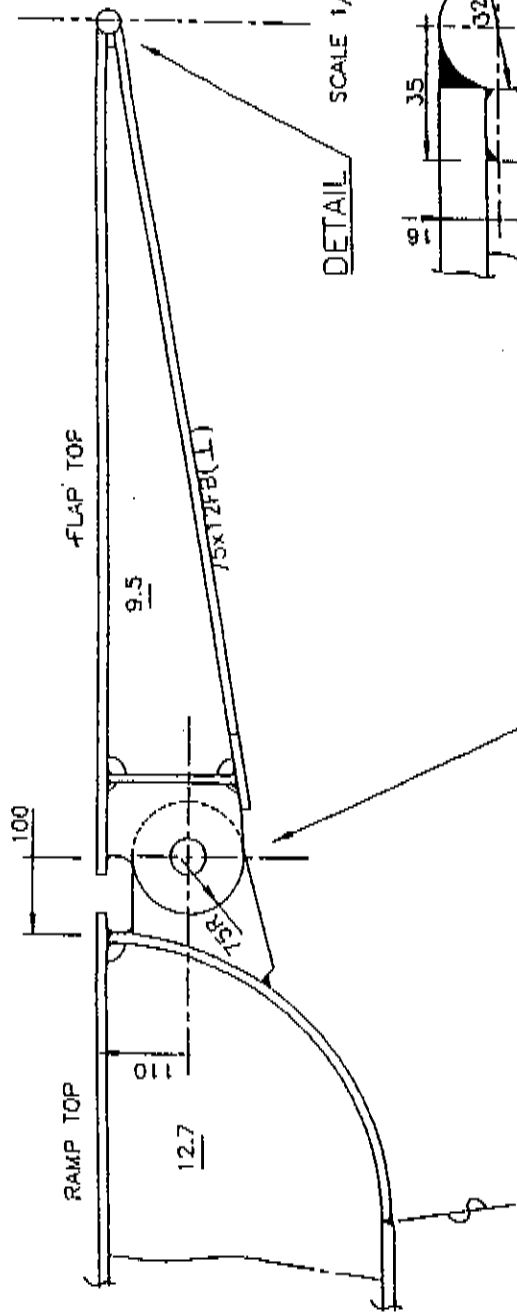
NOTCH & COLLAR PLATE
SCALE 1/7.5



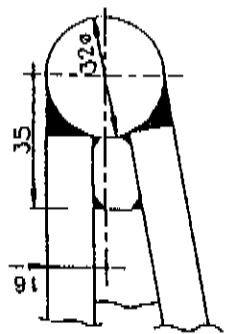
10X vertical depth (1/10)

A-SECTION

FLAP HINGE SECTION SCALE 1/10

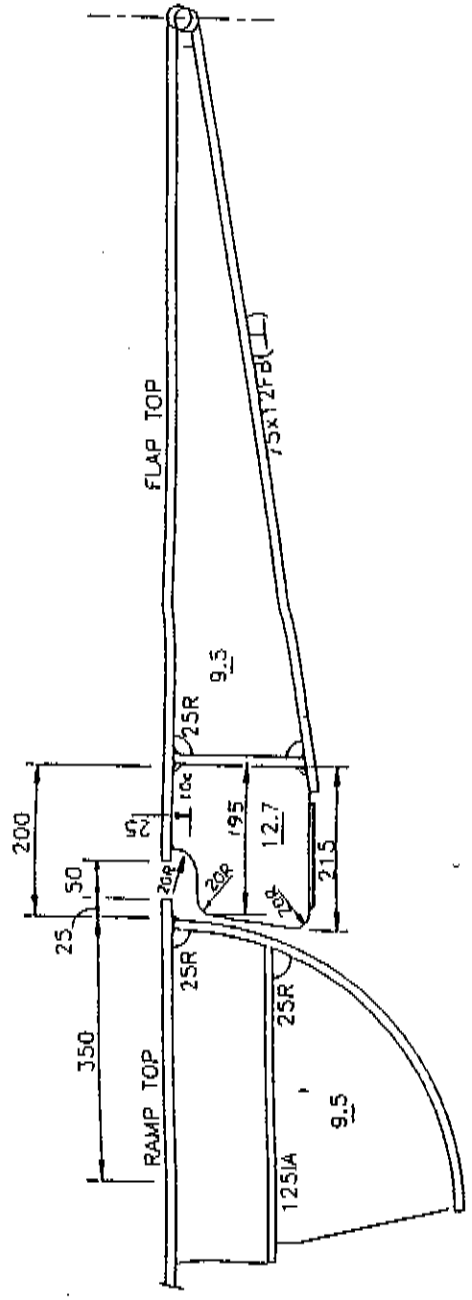


DETAIL SCALE 1/2



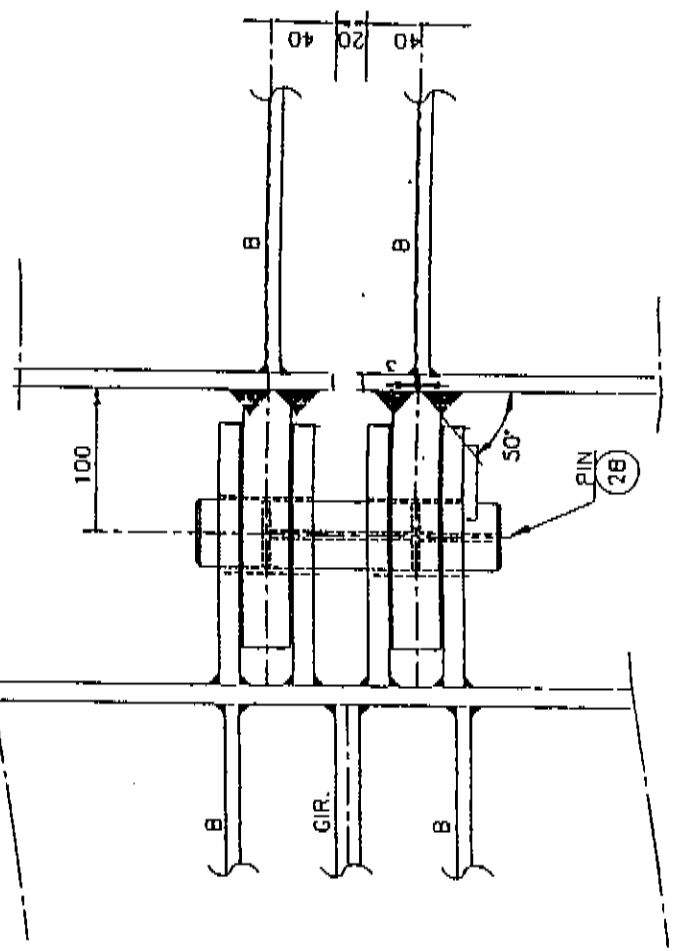
B-SECTION

FLAP STOPPER SECTION SCALE 1/10

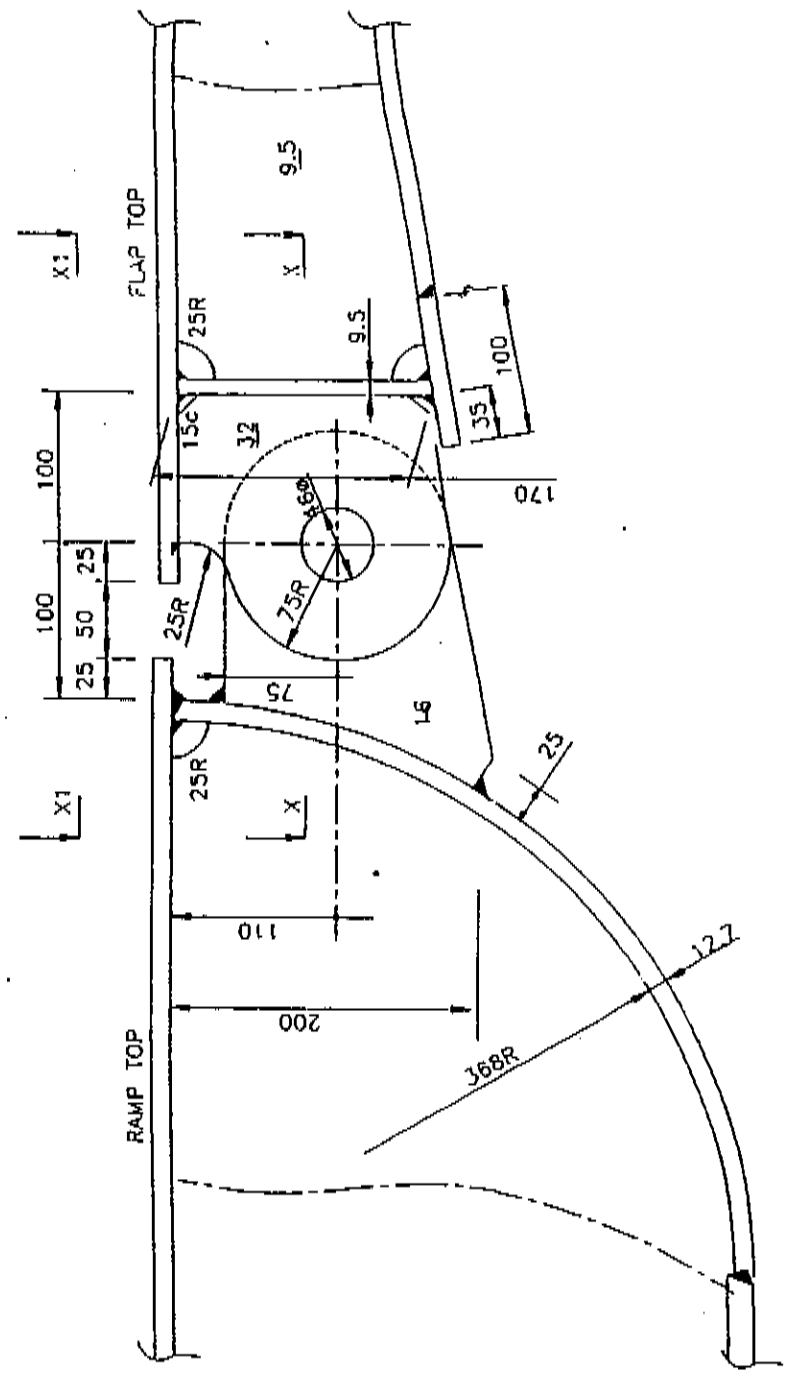


X-X SECTION SCALE 1/5

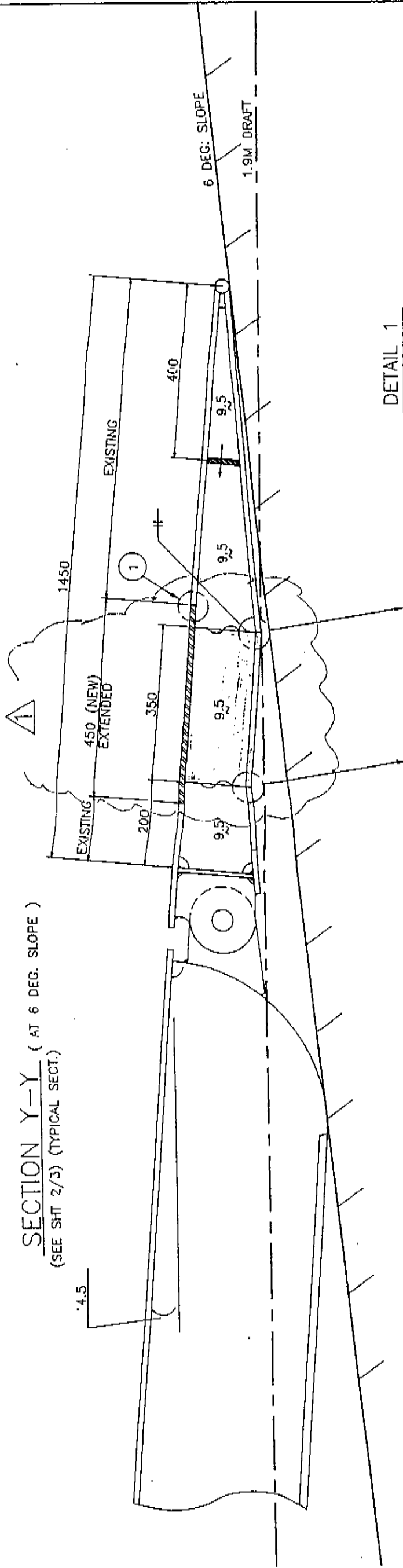
HINGE-2



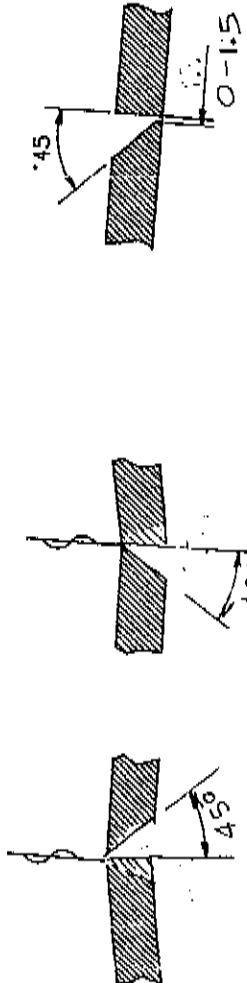
DETAIL SCALE 1/5



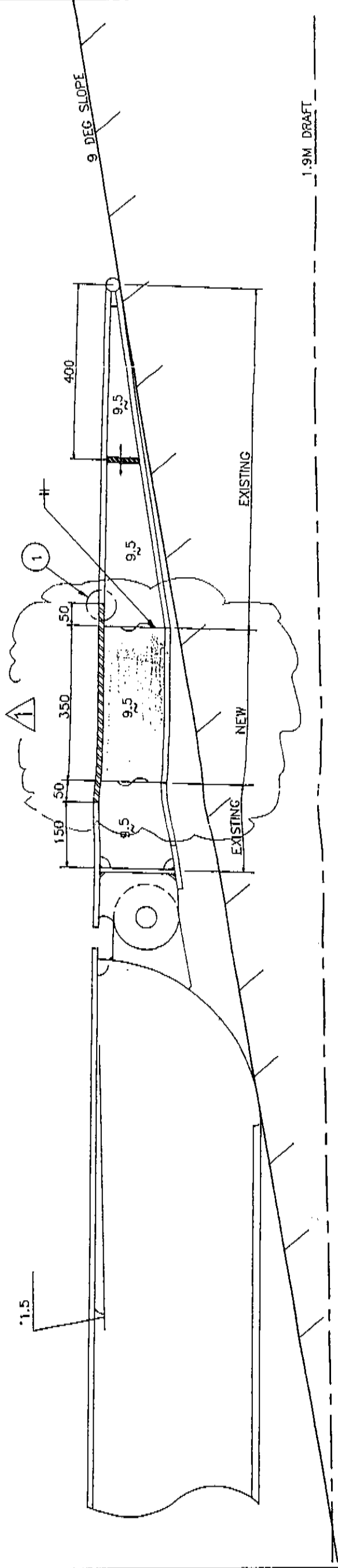
SECTION Y-Y (AT 6 DEG. SLOPE)
(SEE SHT 2/3) (TYPICAL SECT.)



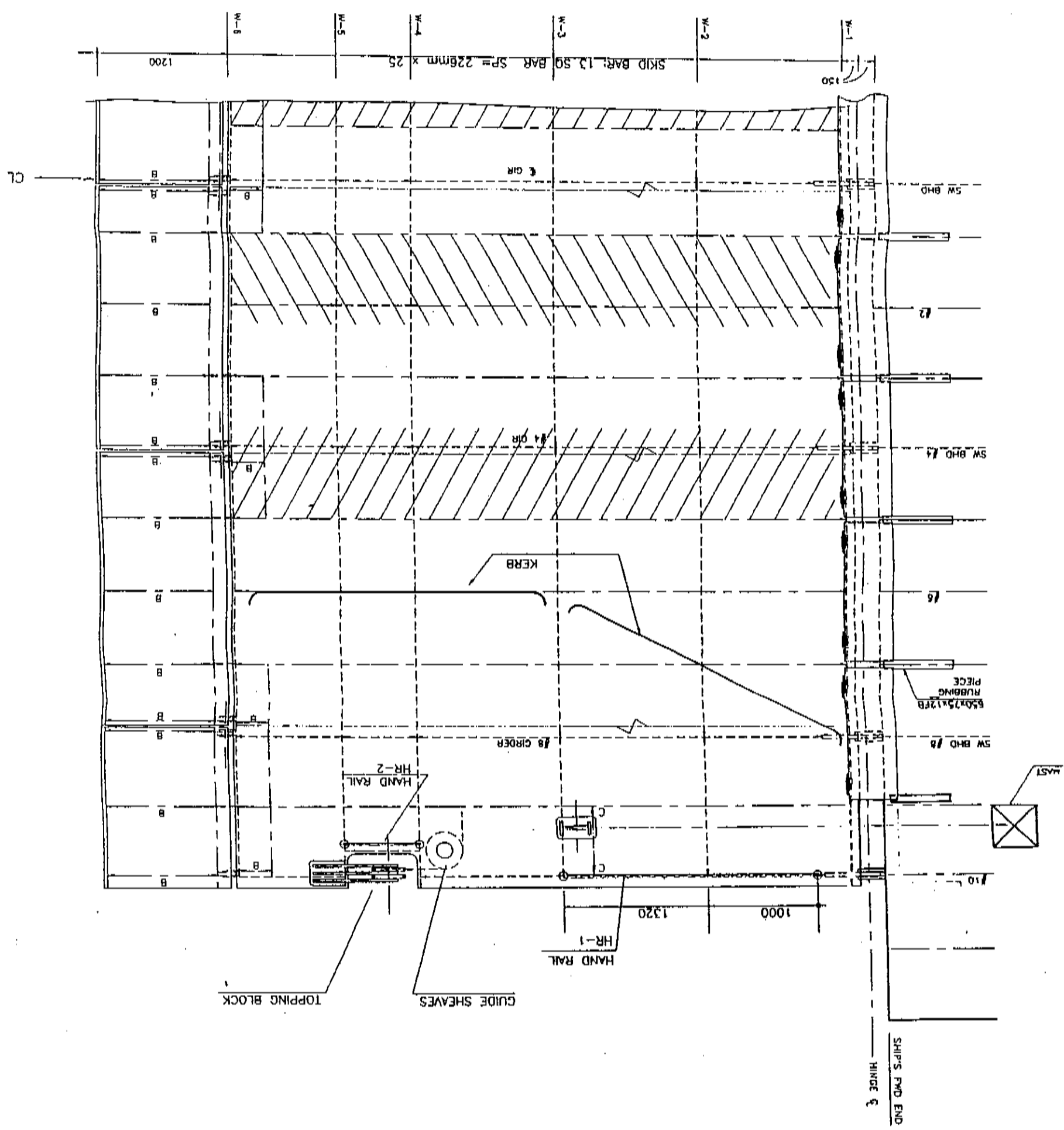
DETAIL 1



SECTION Y-Y (AT 9 DEG. SLOPE)
(SEE SHT 2/3) (TYPICAL SECT.)



24.9.72

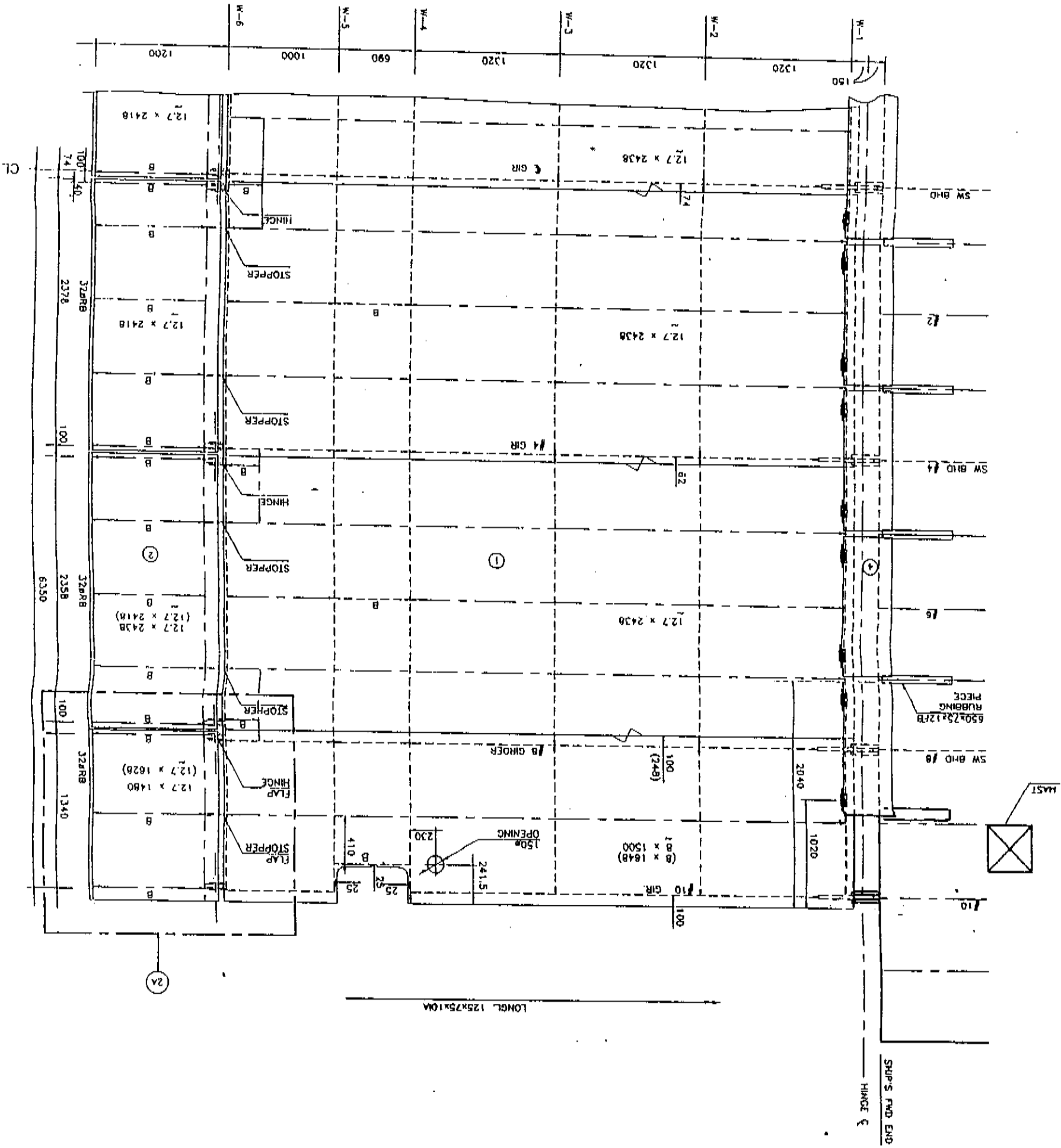


FWD. RAMP FITTING PLAN
 AFT. RAMP TO BE SIM.
 PORT SIDE SHOWN, STBD TO BE SYM.
 UNLESS OTHERWISE STATED.
 SCALE 1/10

FWD. RAMP CONSTRUCTION PLAN
AFT. RAMP TO BE SIM.

PORT SIDE SHOWN, STBD TO BE SYM
 UNLESS OTHERWISE STATED.

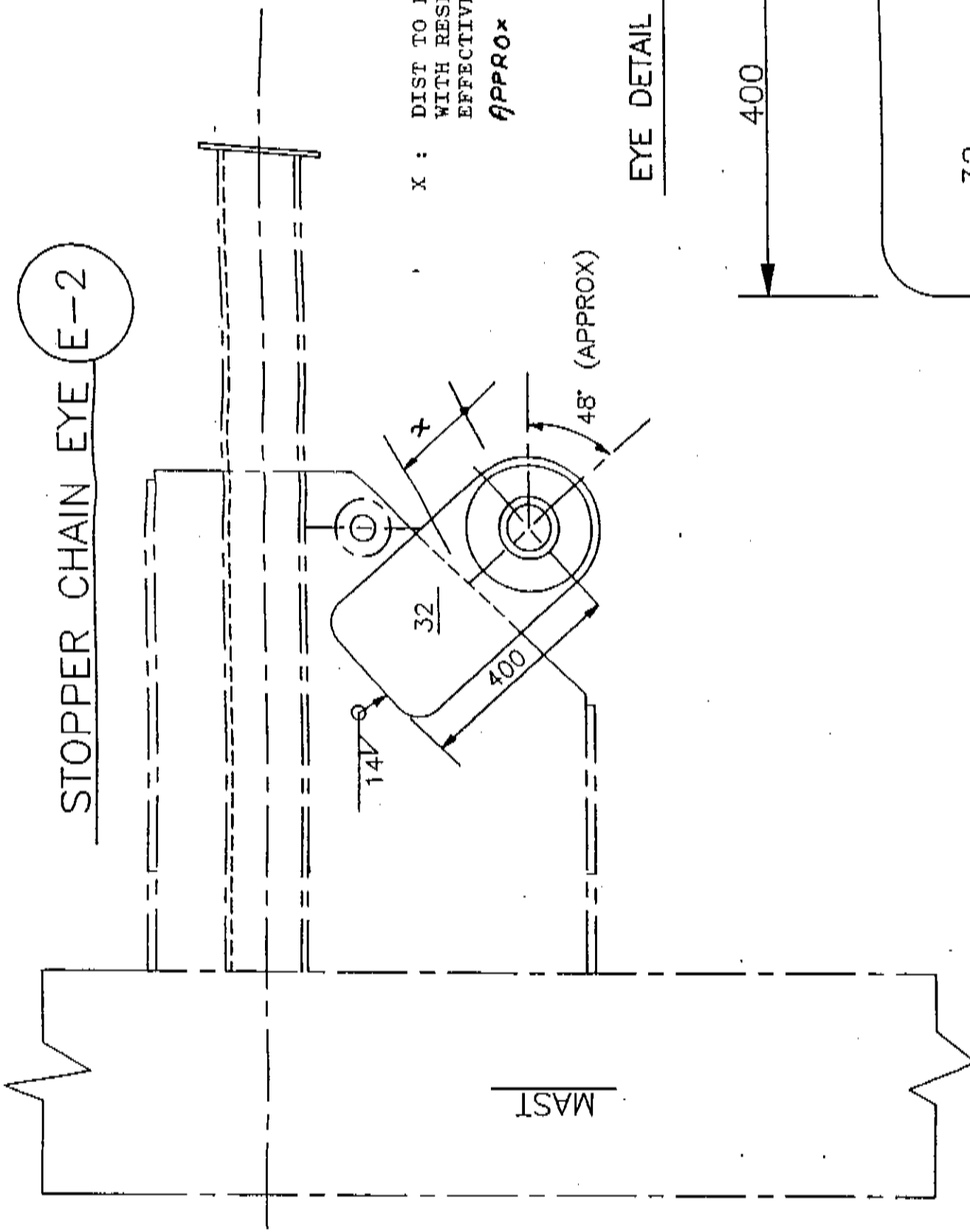
SCALE 1/40



NOTE: DIMENSION SHOWN IN (), FOR STBD. SIDE ONLY.

R13A (1/10) A3

STOPPER CHAIN EYE E-2



EYE DETAIL (1/5)

